



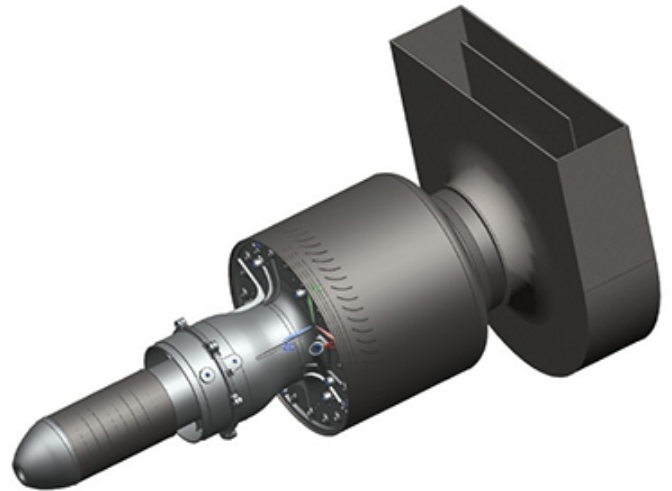
BET SHEMESH  
ENGINES

R&D Division

# BS-E4 EAPU

BET SHEMESH ENGINES' BS-E4 EAPU Engine is a simple low-cost machine with advanced features.

It is a turboalternator with a single stage compressor and a single stage turbine. The engine features a full authority digital electronic control (FADEC).



Engine's main features are:

## Performance

Electric Power	60 Kw Dc
Altitude	45 000 ft (14.9Km)
Flight speed	Mach 0.7

## Dimensions

Dry weight	99 Lb(45 Kg)
Length	36.9" (830 mm)
Max. diameter	12.2" (275 mm)